

Projector Bracket - Ceiling Mount

MODEL CODE PIPE LENGTH

PRB-1 150mm

FEATURES

- Projector bracket - ceiling mount
- Tilt: $\pm 15^\circ$, Swivel: 360°
- 3 prong universal mounting pattern
- Ceiling to projector: 150mm
- Load capacity: 10kgs



Brateck
BRACKET TECHNOLOGY

10kgs

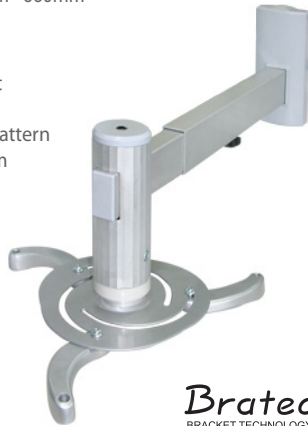
Projector Bracket - Wall Mount

MODEL CODE PIPE LENGTH

PRB-5 480mm - 660mm

FEATURES

- Projector bracket - wall mount
- Tilt: $\pm 15^\circ$, Swivel: 360°
- 3 prong universal mounting pattern
- Wall to projector: 480 - 660mm
- Load Capacity: 10kgs



Brateck
BRACKET TECHNOLOGY

10kgs

Projector Bracket - Ceiling Mount

MODEL CODE PIPE LENGTH

PRB-2 430 - 650mm

FEATURES

- Projector bracket - ceiling mount
- Tilt: $\pm 15^\circ$
- 4 prong universal mounting pattern
- Ceiling to projector: 430 - 650mm
- Load Capacity: 20kgs



Brateck
BRACKET TECHNOLOGY

20kgs

Adjustable Projector Bracket - Ceiling Mount

MODEL CODE PIPE LENGTH

PRB-3 80 - 980mm

FEATURES

- Projector bracket - ceiling mount
- Tilt: $\pm 15^\circ$, Swivel: 360°
- 3 prong universal mounting pattern
- Ceiling to projector: 80 - 980mm
- Load capacity: 10kgs



Brateck
BRACKET TECHNOLOGY

10kgs

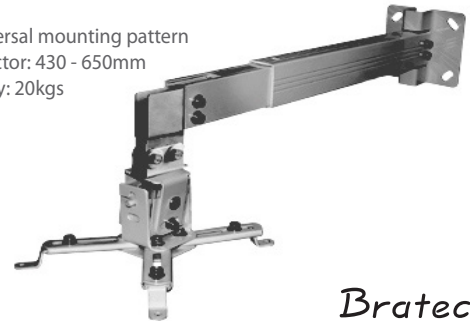
Projector Bracket - Wall Mount

MODEL CODE PIPE LENGTH

PRB-2W 430 - 650mm

FEATURES

- Projector bracket - wall mount
- Tilt: $\pm 15^\circ$
- 4 prong universal mounting pattern
- Wall to projector: 430 - 650mm
- Load Capacity: 20kgs



Brateck
BRACKET TECHNOLOGY

20kgs

Projector Bracket - Short Throw Mount

MODEL CODE ADJUSTABLE

NEW PRB-12 80 - 970mm

FEATURES

- Ideal for home and commercial projectors
- Aluminum and steel projector bracket
- Tilt: $\pm 15^\circ$, Swivel: 360°
- Theft resistant design (requires small padlock)
- Comes preassembled for quick and easy installation
- Load Capacity: 15kgs



15kgs



Brateck
BRACKET TECHNOLOGY